



## VHJ-T Series Filter Cartridge Type

### Welding Smoke Purifier

#### 1. Application Filed

- 1.1 Apply to welding, cutting, grinding, and other smoke purification fields .
- 1.2 Suitable for movable welding place, polluted welding place or other similar working conditions .
- 1.3 Suitable for smoke purification of manual arc welding; gas shielded arc welding, argon arc welding and other welding purification occasions .

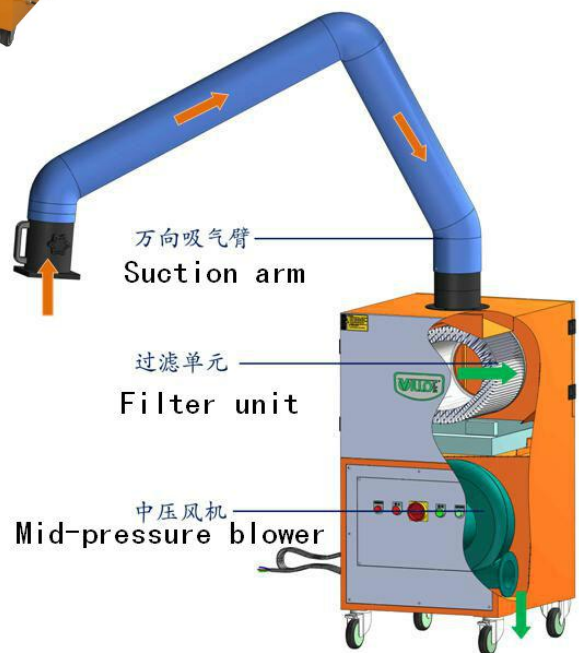
#### 2. HEPA Filter

- 2.1 Installed with HEPA filter cartridge which is imported from TORAY, Japan. It can filtering 0.3 micron dust, and the filter rating is up to 99.99%
- 2.2 Convenient dust cleaning structure ,VHJ-T series doesn' t have dust cleaning device .
- 2.3 VHJ-TS series have manual dust cleaning device .



Structure diagram

#### 3. 360°Rotatable Suction Arm





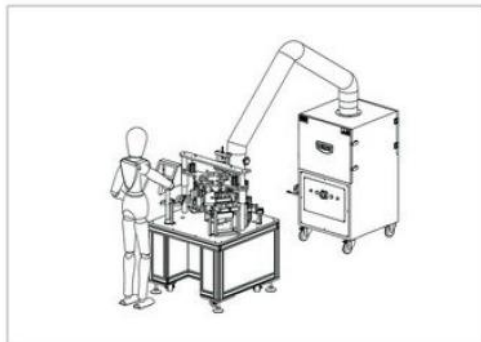
#### 4. Technical Parameters

Model	VHJ-110T VHJ-110TS	VHJ-220T VHJ-220TS
Voltage (V/Hz)	380V/50Hz	
Power (KW)	1.1	2.2
Max negative pressure (Pa)	2180	2500
Max Air Flow (m3/h)	1500	1800
Noise dB(A)	75±2	75±2
Inlet diameter (mm)	1*Ø 150	2*Ø150
Filtering area (m2)	8	11
Filter rating (L)	>99%	>99%
Dimensions (mm)	580*620*1150	700*750*1250
Net weight (kg)	105	130

APPLICATION:



volume production for the VHJ-110T



Apollo Of Smidahk supported fume extraction



Lithium battery automatic touch welding machine supported fume extraction