

VJF-S Stainless Steel Industrial Dust Collection



◆ Application fields

- Suitable for the large amount of floating/flying dust, flying metal scrap, food, suspended dust' collection and cleaning
- Suitable for multi-station operation' small central vacuum system
- Suitable for mixing operations, food & pharmacy industry, vibration sieve, air transportation, packaging engineering, envelope operation and so on.
- Suitable for cutting operation, bagged assignments, grinding operation, sandblasting operations, drilling, Plexiglass processing and so on.

◆ Specialty

High efficient and reliable

- Adopting high efficient filter cartridge with a large filtering surface, the filter with PTFE layer technology has a high level of filtration efficiency on 0.3 μ m, and filtration degree above 99%. In addition, we can satisfy the special working condition to choose anti-static, fireproof, waterproof and grease proof filter material .etc.

304 stainless steel material for the whole machine

- To be applied to pharmacy and food industry and the machine can match GMP standard.

Quality assurance

- The products adopt Germany Siemens motor and excellent metal plate technology, the filter uses high efficient filter material.

Pulse-jet cleaning

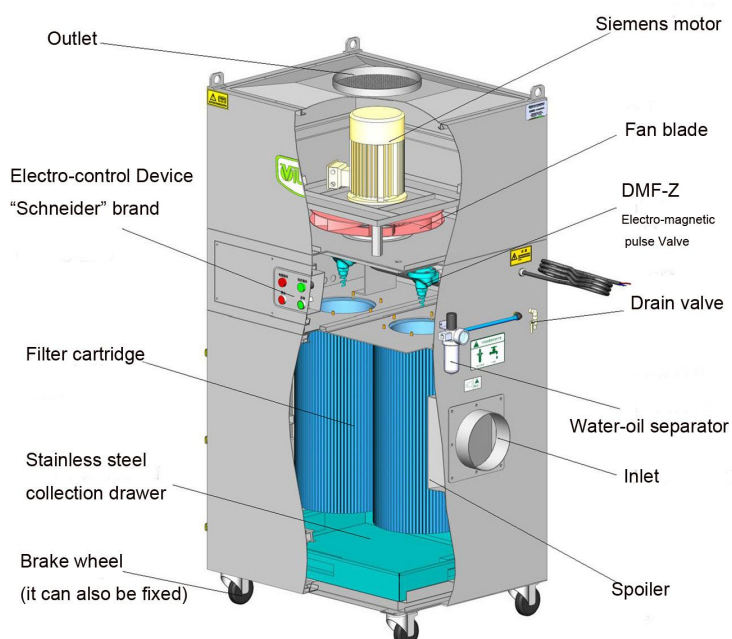
- The product adopts advanced pulse controller automatic control the pulse-jet device to clean the dust, which has higher efficiency and is more thoroughly, it can prolong the usage life of filter cartridge.

Flexible configuration

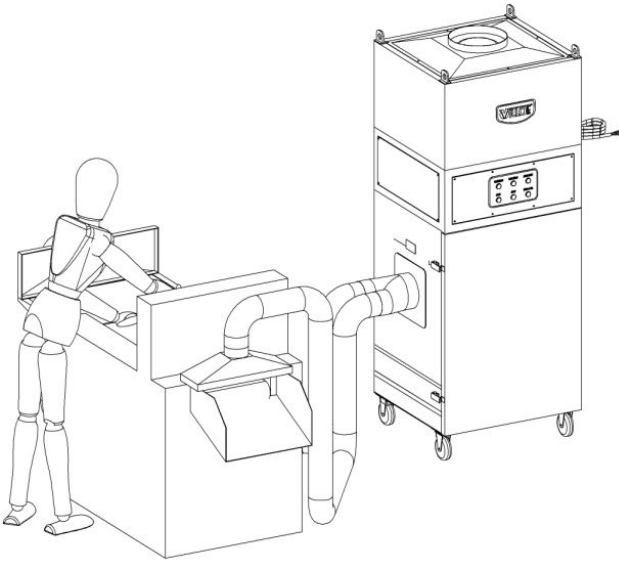
- According to the dust properties and the actual condition dispose 2 pipes, 3 pipes, 4 pipes air inlet, and received the customer's special customization.

◆ Technical Parameter

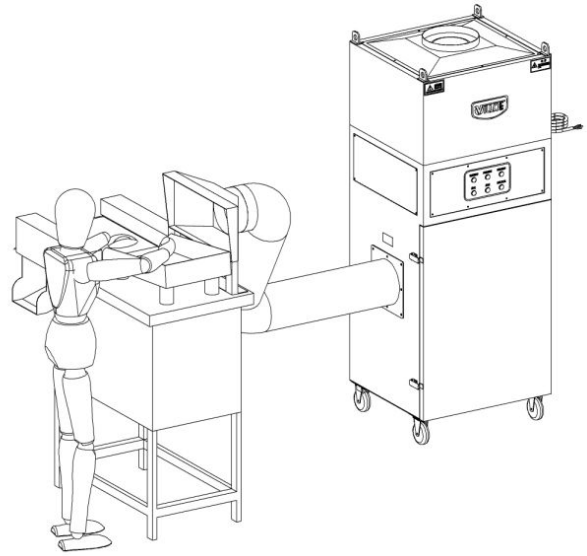
Model	VJF-1.5S	VJF-2.2S	VJF-3.0S	VJF-4.0S	VJF-5.5S	VJF-7.5S	VJF-15S	
Volt(V/Hz)	Three phase 380V/50Hz							
Power(Kw)	1.5	2.2	3.0	4.0	5.5	7.5	15	
Air pressure (Pa)	1200	1500	1800	2000	2200	2554~1673	3187~2019	
Max air flow (m³/h)	1800	2800	3600	4800	5800	5712~10562	7728~15455	
Noise dB(A)	75±2	77±2	78±2	80±2	82±2	83±2	85±2	
Suction inlet diameter (mm)	Ø 150 (standard)		Ø200 (standard)	Ø 250 (Standard)	Ø 300 (standard)	Ø 350 (standard)	Ø 400 (standard)	
Outlet diameter (mm)	Ø 250		Ø 250	Ø 400	Ø 400	Ø 500	Ø 500	
Filter Unit	Area(m²)	11	22	26	44	44	66	99
	Shape	Import polyester HEPA filter cartridge						
	QTY	1	2	2	4	4	6	9
	Mode of cleaning	Air pulse cleaning						
Dimensions (mm)	650x660x1736mm	900x700x1850mm	900x700x1875mm	1000x900x1950mm	100x900x1950mm	1350x900x1985mm	1350x1250x2175mm	
Mobility	industrial brake wheel for fixed lag			fixed leg				
Weight(kg)	160	240	260	320	340	550	750	
Protective level	IP55							
Appearance of spraying rack	304 Stainless steel							



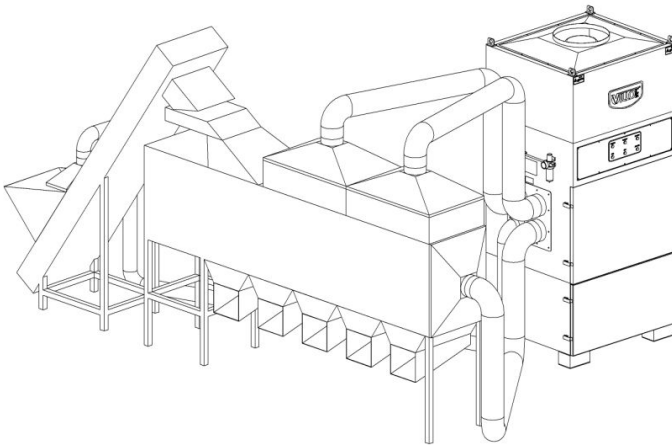
Application case diagram



Supporting herbs magnetic separator



Supporting medicine pill cutting machine



Supporting herbs winnowing machine